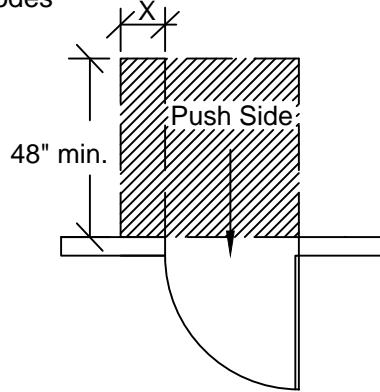
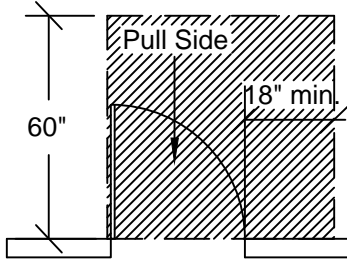




2012 Codes

Front Approaches

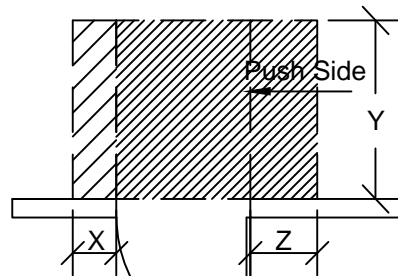
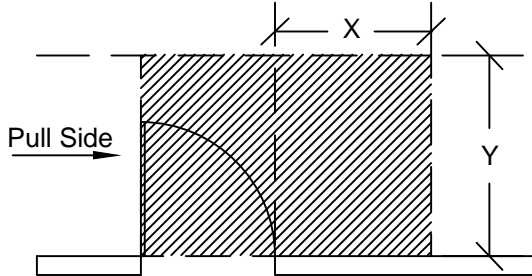


NOTE:

X = 12" if the door has both a closer and a latch.

X = 0 if no closer or latch.

Hinge Side Approaches



NOTE:

Y = 48" min. if door has both a latch and a closer.

Y = 42" if no closer or latch.

NOTE:

X = 36" min. if Y = 60"
OR X = 42" min. if Y = 54"

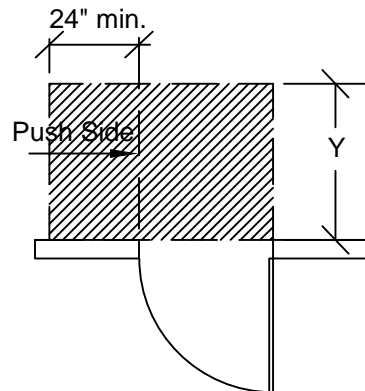
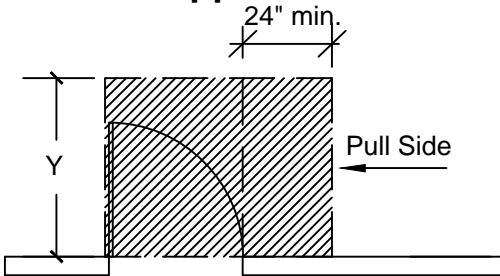
NOTE:

X = 12" if door has closer and latch

NOTE:

Z = 22" min.

Latch Side Approaches



NOTE:

Y = 42" min. if the door does not have a closer.

Y = 48" min. if the door has a closer.

NOTE:

Y = 48" min. if the door does not have a closer.
Y = 54" min. if the door has a closer.

GENERAL INFORMATION:

- All doors in alcoves must comply with the clearances for front approaches.
- For specific questions not addressed here or requiring further clarification, please contact your local building department.
- Reference ICC / ANSI A117.1 - 2009 and 2012 IBC Chapter 11.