



Safety Glass Identification Required 2006 IRC

Each pane of glazing installed in hazardous locations must be provided with a manufacturer's or installer's label, designating the type and thickness of glass and the safety glazing standard with which it complies. The label needs to be visible at the final inspection, and it must not be acid-etched, sandblasted, ceramic-fired, or an embossed mark or of the type which once applied cannot be removed without being destroyed.

Safety Glazing Required Locations:

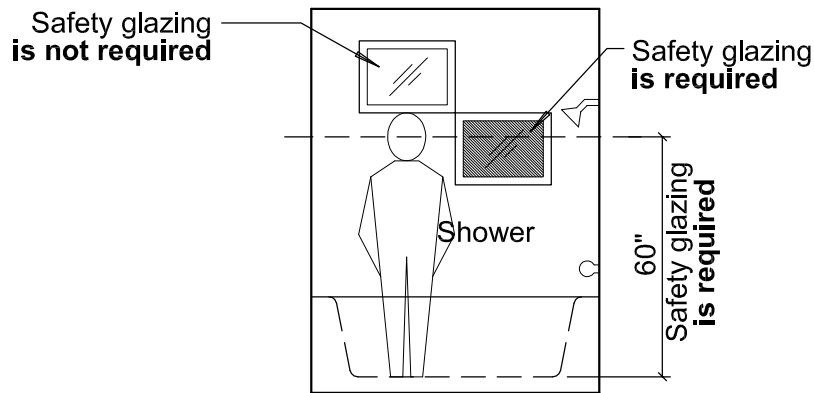
1. Glazing in swinging doors except louvered windows and jalousies complying with IRC R308.2.
2. Glazing in fixed and sliding panels of sliding door assemblies and panels in sliding and bifold closet door assemblies.
3. Glazing in storm doors.
4. Glazing in all unframed swinging doors.
5. Glazing in doors and enclosures for hot tubs, whirlpools, saunas, steam rooms, bathrooms, and showers. Glazing in any portion of a building wall enclosing these compartments where the bottom exposed edge of the glazing is less than 60" above any standing or walking surface.
Exception: Openings through which a 3" sphere is unable to pass. (See details, page 2)
6. Glazing in fixed or operable panels adjacent to a door where the nearest vertical is within a 24" arc of either vertical edge of the door in a closed position and where the bottom exposed edge of the glazing is less than 60" above the walking surface.
Exception: Where there is an intervening wall or partition between door and glazing or where the door accesses a closet 3' or less in depth. (See details, page 3)
7. Glazing in an individual fixed or operable panel, when all of the following apply:
 - 7.1 Exposed area of an individual pane greater than 9 s.f.
 - 7.2 Bottom edge less than 18" above the floor.
 - 7.3 Top edge greater than 36" above the floor.
 - 7.4 One or more walking surfaces within 36" horizontally of the glazing.
 Exception: Where a protective 1-1/2"-wide bar is installed on the accessible side of the glazing 34" - 38" above the floor and is capable of withstanding a load of 50 lbs per lineal foot or where the bottom edge of the glass is 25' or more above grade, a roof, walking surface, or other horizontal surface. (See details, page 4)
8. Glazing in railings regardless of area or height above a walking surface. Includes structural baluster panels and nonstructural in-fill panels.
9. Glazing in walls and fences enclosing indoor and outdoor swimming pools, hot tubs, and spas where the bottom edge of the glazing is less than 60" above a walking surface and within 60" horizontally of the water's edge. This will apply to all single glazing and all panes in multiple glazing. (See details, page 2)
10. Glazing adjacent to stairways, landings, and ramps within 36" horizontally of a walking surface when the exposed surface of the glass is less than 60" above the plane of the adjacent walking surface.
Exception: Where a handrail or guard is installed per IBC 1003.3.12 & 1607.7 or when the glass is greater than 18" from the landing. (See details, page 5)
11. Glazing adjacent to stairways within 60" horizontally of the bottom tread of a stairway in any direction when the exposed surface of the glass is less than 60" above the nose of the tread.
Exception: Where a handrail or guard is installed per IBC 1003.3.12 & 1607.7 or when the glass is greater than 18" from the railing. (See details, page 5)

GENERAL INFORMATION:

- This tip sheet is intended to show code requirements per the 2006 International Residential Code (IRC) R308 and the 2006 International Building Code (IBC).
- Wired glass is no longer allowed as an exception to tested safety glazing per Washington State Emergency Rule change to IBC 2406.1.2.

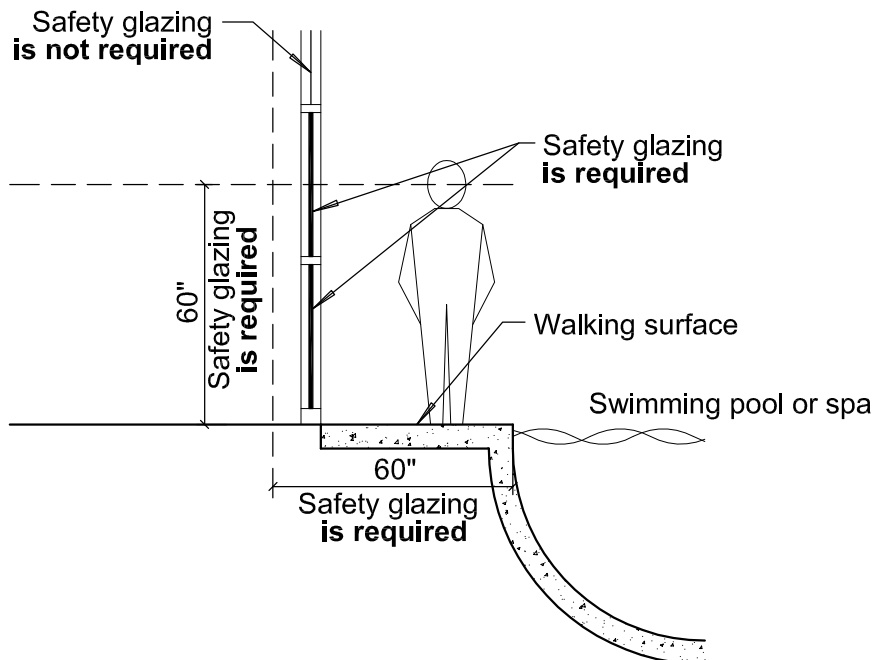
Glazing in Doors, Enclosures for Hot Tubs, Whirlpools, Saunas, Steam Rooms, Bathtubs, and Showers:

Safety glazing is required at glazing in a building wall enclosing these wet areas where the bottom edge of the glazing is less than 60" above a standing surface and drain inlet.



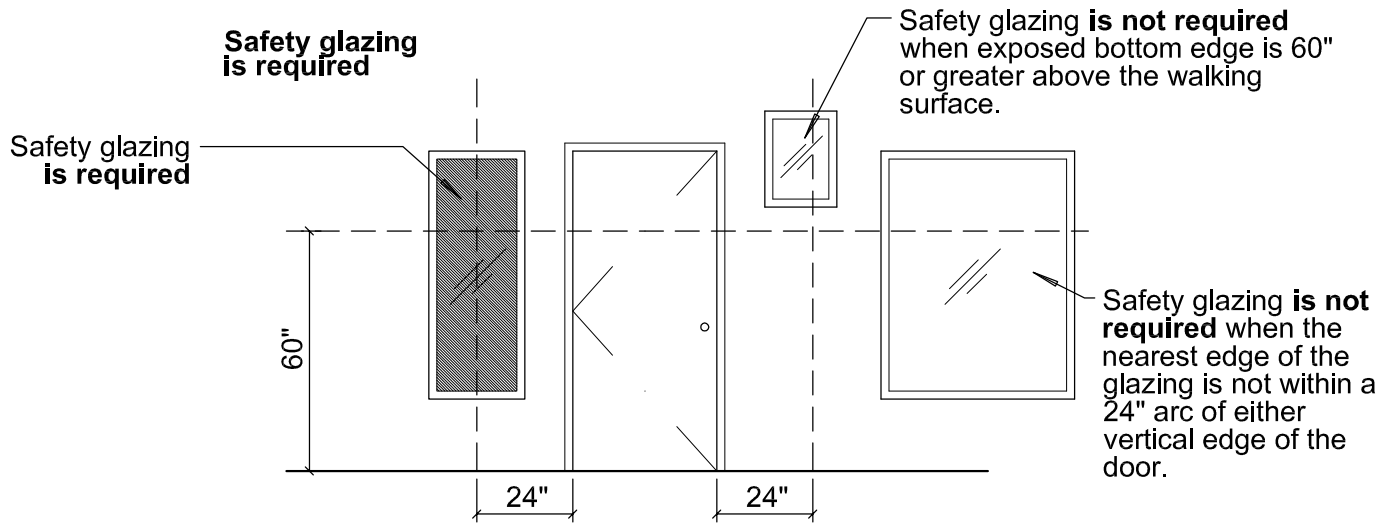
Glazing at a Swimming Pool or Spa:

Safety glazing is required when the bottom edge of the glazing in walls and fences used as the barrier for indoor and outdoor swimming pools and spas is less than 60" above the pool side of the glazing, and the glazing is within 60" of a swimming pool or spa water's edge.



Glazing Adjacent to Doors:

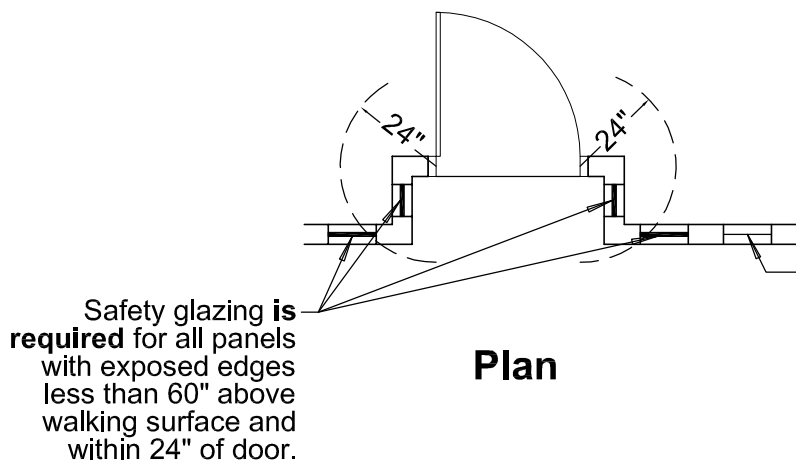
Safety glazing is required for all glazing within a 24" arc of either vertical edge of a door.



Elevation

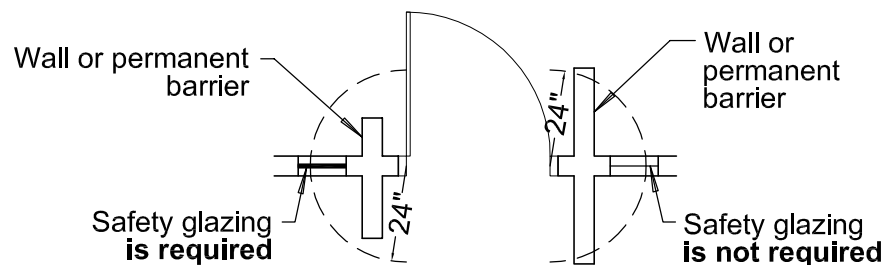
Also not required when:

1. The exposed bottom edge of glass is 60" or greater above the walking surface.
2. There is an intervening wall or other permanent barrier between the door and the glazing.
3. Access through the door is to a closet or storage area 3' or less in depth.



Plan

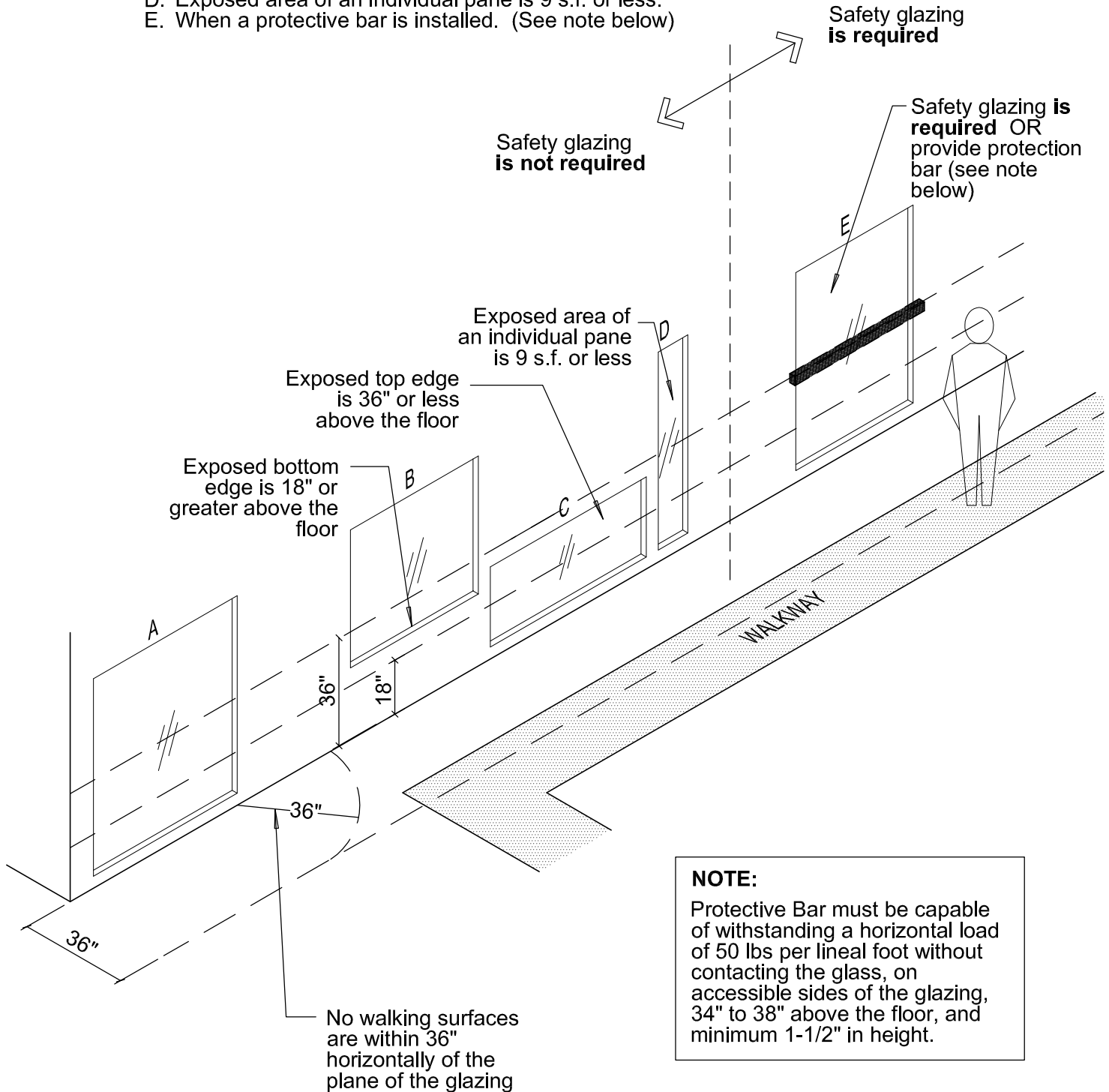
Safety glazing is not required for panels with exposed bottom edges 60" or greater above the walking surface or when panel is outside 24" arc of door edge.



Plan

Safety glazing required at fixed or operable panels at interior and exterior glass except as noted below:

- A. Walking surface is away horizontally 36" or more from the plane of the glazing.
- B. Exposed bottom edge is 18" or greater above the floor.
- C. Exposed top edge is 36" or less above the floor.
- D. Exposed area of an individual pane is 9 s.f. or less.
- E. When a protective bar is installed. (See note below)



Safety glazing **is required** adjacent to stairways, landings, and ramps within 36" horizontally of walking surface or within 60" horizontally of the bottom tread of stairway in any direction and when exposed surface of glass is less than 60" above the nose of the tread or walking surface.

Exceptions:

1. When the bottom edge of glazing is 60" or greater above the walking surface or nose of the tread.
2. When the side of stairway, landing, or ramp has a guard or handrail -- including balusters or in-fill panels per IBC 1003.3.12 & 1607.7 -- and when the plane of the glass is greater than 18" from the railing.

