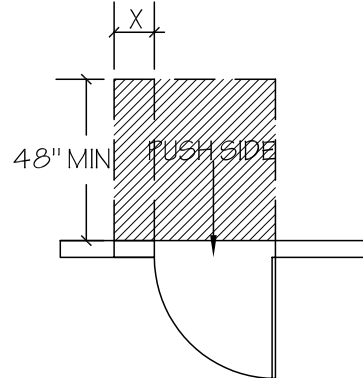
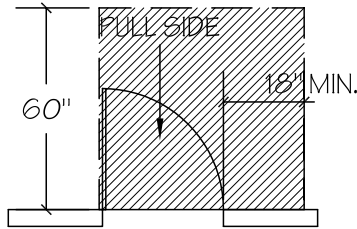


ACCESSIBILITY AND DOOR CLEARANCE

"BLUEPRINTS FOR SUCCESS"

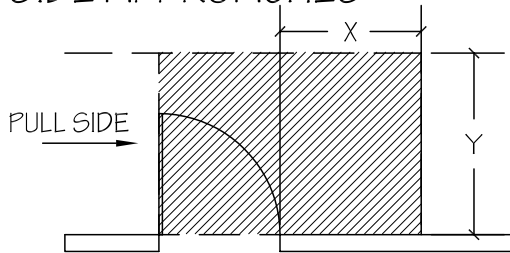
TIP SHEET
#014
Page 1 of 1
OCTOBER 2002

FRONT APPROACHES

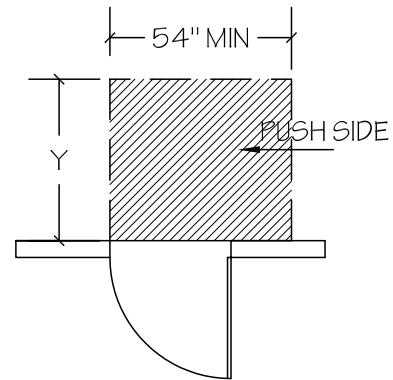


NOTE: $X = 12"$ IF THE DOOR HAS BOTH A CLOSER AND A LATCH.
 $X = 0$, IF NO CLOSER OR LATCH

HINGE SIDE APPROACHES

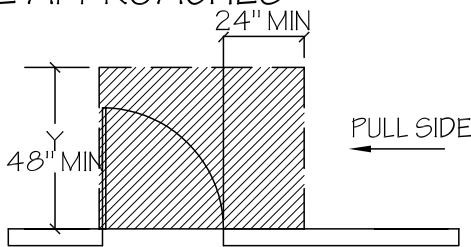


NOTE: $X = 36"$ MIN. IF $Y = 60"$
 OR $X = 42"$ MIN. IF $Y = 54"$

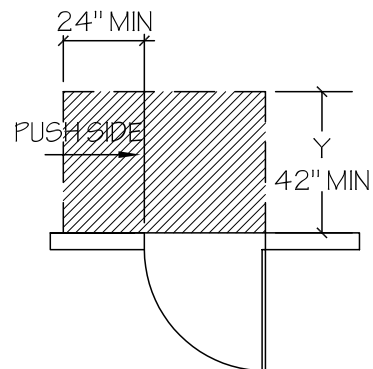


NOTE: $Y = 48"$ MIN IF DOOR HAS BOTH A LATCH AND A CLOSER
 $Y = 42"$, IF NO CLOSER OR LATCH

LATCH SIDE APPROACHES



NOTE: $Y = 54"$ MIN IF THE DOOR HAS A CLOSER.



NOTE: $Y = 48"$ MIN IF THE DOOR HAS A CLOSER.

GENERAL INFORMATION:

1. ALL DOORS IN ALCOVES SHALL COMPLY WITH THE CLEARANCES FOR FRONT APPROACHES.
2. FOR SPECIFIC QUESTIONS NOT ADDRESSED HERE OR REQUIRING FURTHER CLARIFICATION, PLEASE CONTACT YOUR LOCAL BUILDING DEPARTMENT.