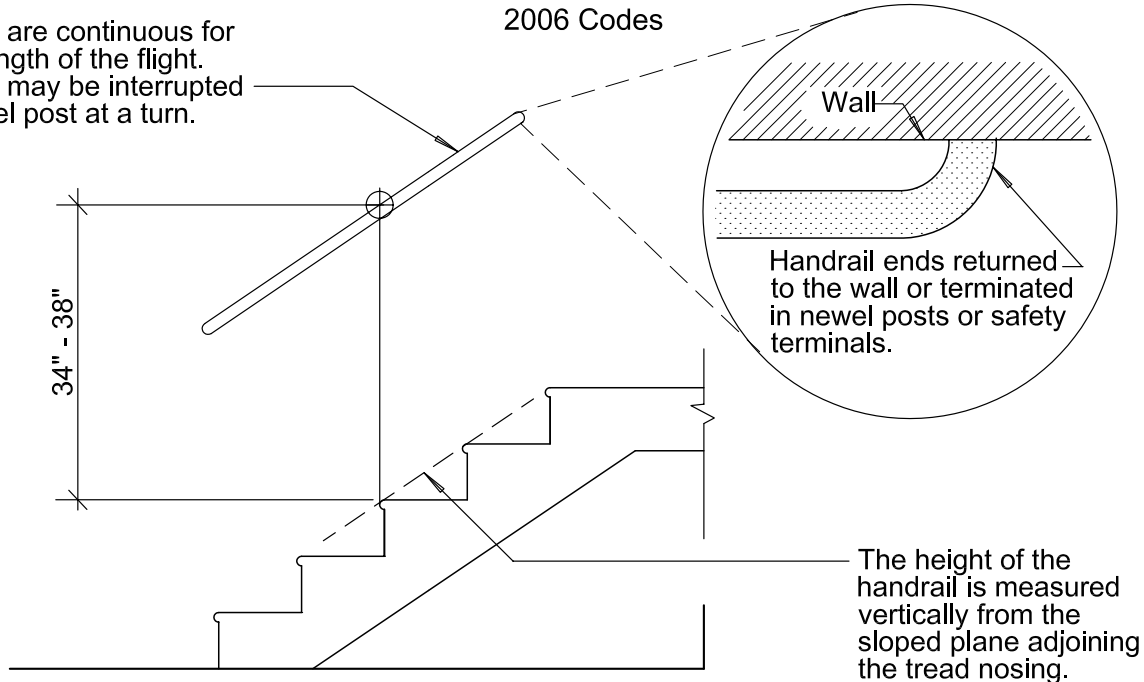


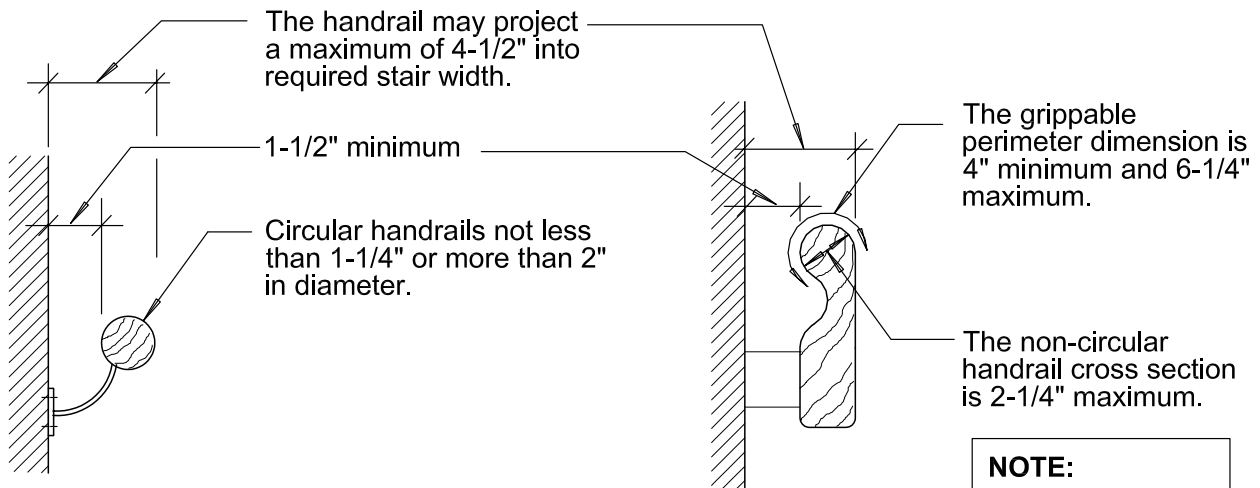


Handrails are continuous for the full length of the flight. Handrails may be interrupted by a newel post at a turn.

2006 Codes



Typical Handrail Elevation R311.5.6



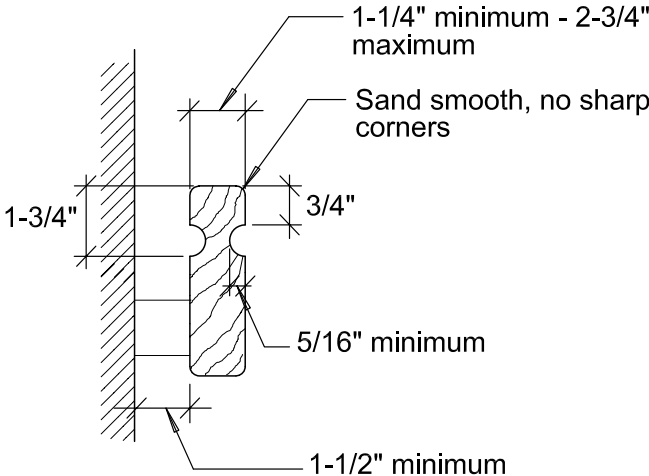
Type I Handrails R311.5.6.3

NOTE:

See page 2 for additional handrail grip shapes.

GENERAL INFORMATION:

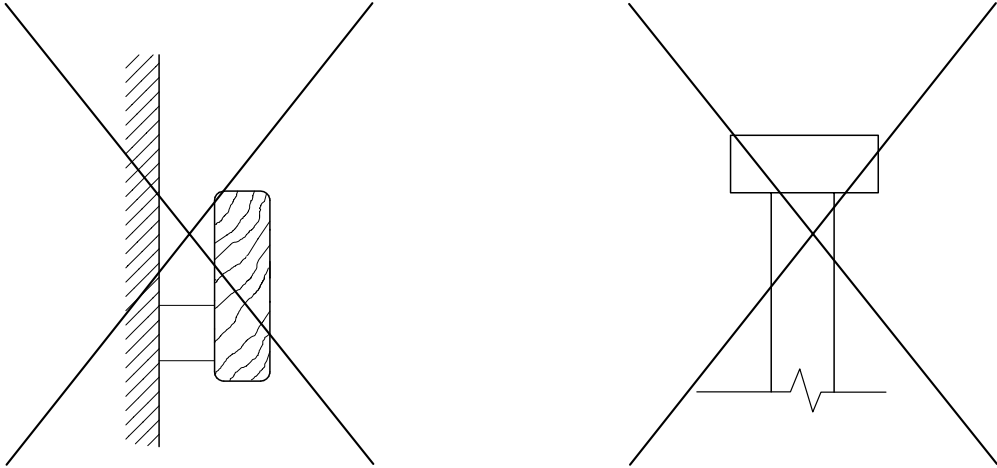
- Consult with your local planning department regarding required setbacks.
- Obtain a building permit before starting construction.
- The intent of this sheet is to address the basics of private residential stair construction only and does not address the subject in great detail. Additional information can be found at your local building department, home improvement store, or library.
- This tip sheet is intended to show code requirements per the 2006 International Residential Code.



Type II Handrails

R311.5.6.3

(At handrails with a perimeter greater than 6-1/4")



Unacceptable Handrails