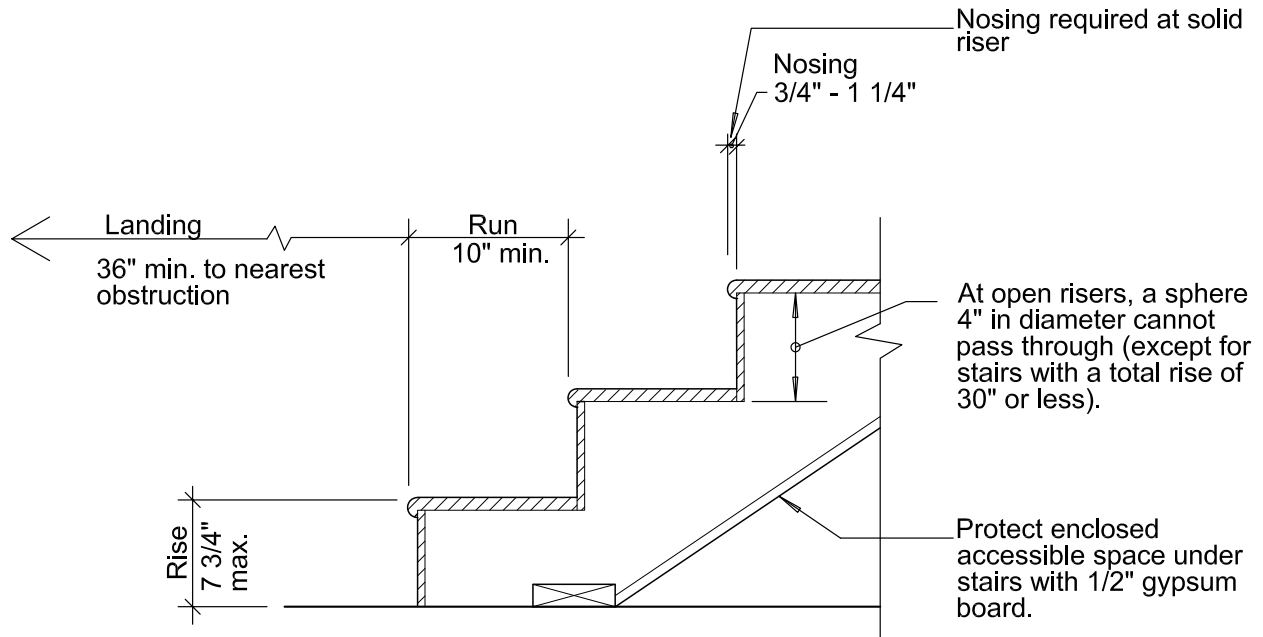


## 2006 Codes



### Typical Stair Section R311

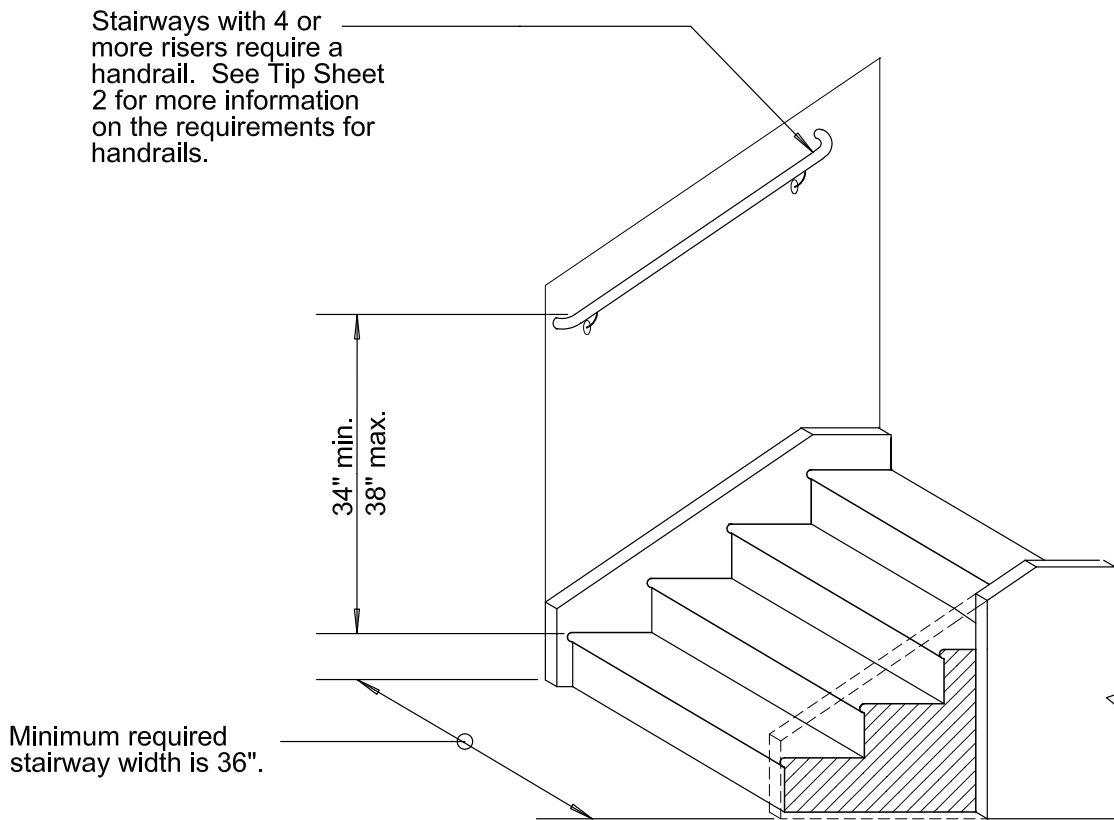
## NOTES:

1. These regulations apply to stairways for one- and two-family dwellings and townhouses subject to the 2006 International Residential Code (IRC). Refer to the 2006 International Building Code for requirements for stairs in other conditions.
2. For exceptions related to the construction of circular, spiral, or winding stairways, see R311.5.3.
3. The largest rise or run within any flight of stairs is not to exceed the smallest by more than 3/8".
4. A landing extending the width of the stair and measuring a minimum of 36" in the direction of travel is required at the top and bottom of every stairway.
5. A floor landing is not required at the top of an interior flight of stairs, provided a door does not swing over the stairs.
6. Handrails are required for stairways with four or more risers. See Tip Sheet 2 for additional information regarding handrails.
7. Interior and exterior stairs must be illuminated with an artificial light source at each landing or over each stairway section per R303.6. Light activation must be accessible at the top and bottom of each landing without traversing any steps. Exterior stairways must be controlled from inside the dwelling unit unless continuously illuminated or automatically controlled.

## GENERAL INFORMATION:

- Consult with your local planning department regarding required setbacks.
- Obtain a building permit before starting construction.
- The intent of this sheet is to address the basics of private residential stair construction only and does not address the subject in great detail. Additional information can be found at your local building department, home improvement store, or library.
- This tip sheet is intended to show code requirements per the 2006 International Residential Code.

Stairways with 4 or more risers require a handrail. See Tip Sheet 2 for more information on the requirements for handrails.



### Typical Stair Elevation

